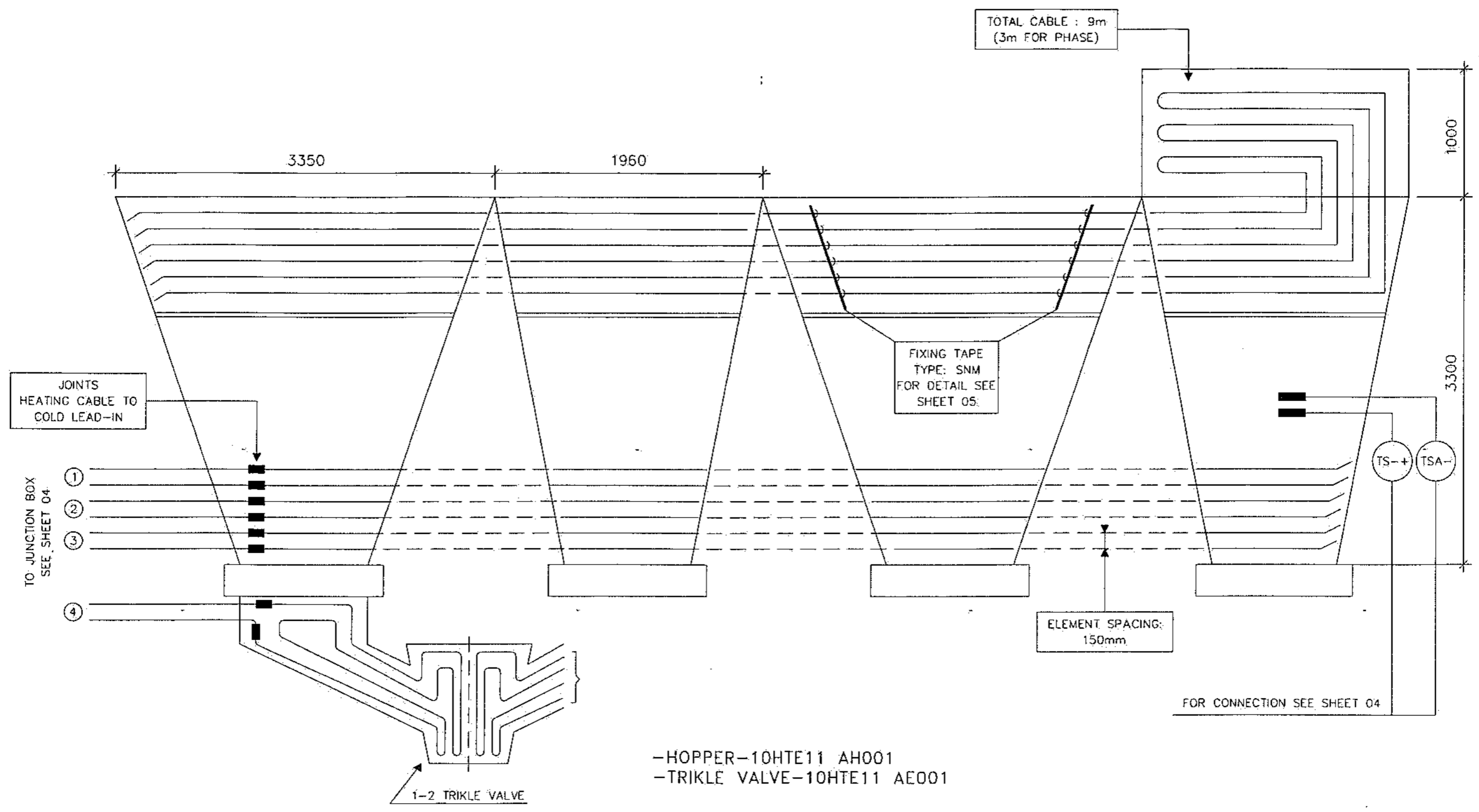


CIRCUIT	HOPPER MSQ	TRIKLE VALVE Ø	INSULATION THICKNESS	ELEMENT TYPES	ELEMENT N°	HEATING CABLE CODE	HEATING CABLE LENGTH (M)	SPECIFIC POWER ON CABLE W/M	TOTAL POWER KW	SINGLEPHASE	THREE-PHASE	POWER SUPPLY VOLTS	CURRENT AMPS	SHEAT TEMPERAT. °C	COLD CABLE CODE	POWER SUPPLY CABLE	NOTE
	19		150mm	2	1	HDF1M400	43	65.3	2.813	X		220	12.7	300 °C	CC1H2.5		
				2	2	HDF1M400	43	65.3	2.813	X		220	12.7	300 °C	CC1H2.5		
				2	3	HDF1M400	43	65.3	2.813	X		220	12.7	300 °C	CC1H2.5		
		600mm	150mm	2	4	HSQ1M4000	12	84	1.008	X		220	4.5	380 °C	CC1H2.5		
						TOT :			10.16				42.6				

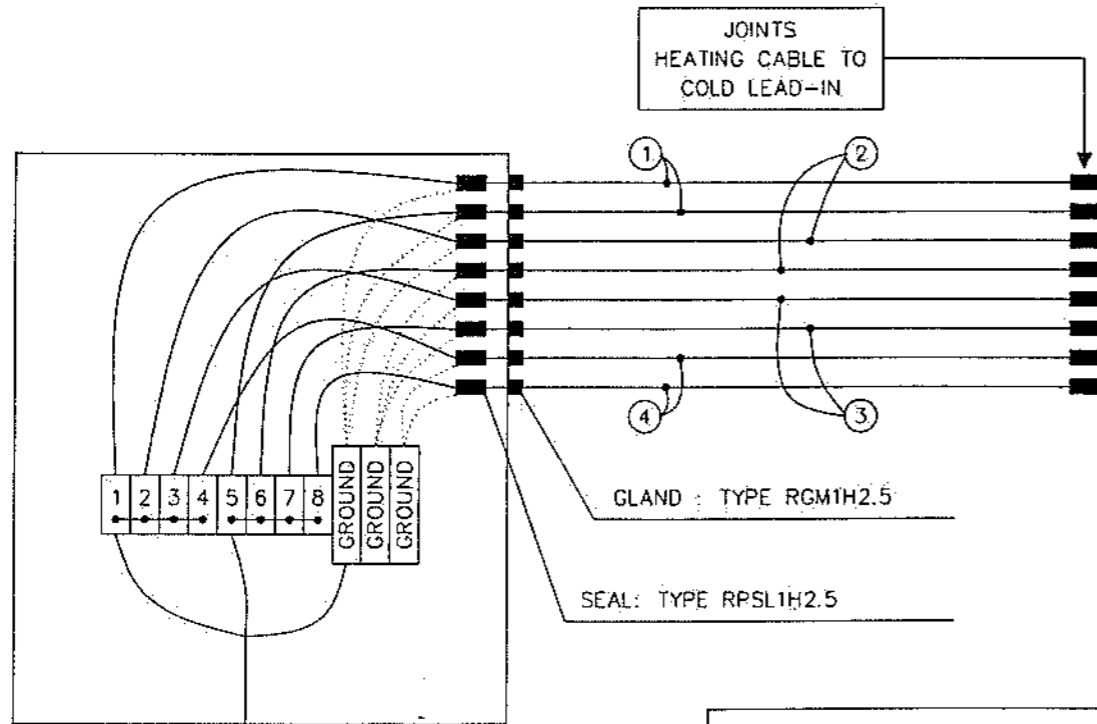


	Impianto / Plant: <b>C.T.P. - BRATISLAVA</b> Descrizione / Description: <b>ELECTRICAL TRACING SYSTEM</b> TYPICAL	Redaz. By: <b>DC</b> Contr. Checked: <b>MD</b>	Data Date: <b>05-01</b> Data Date: <b>05-01</b>	Commessa N° Job N°: <b>HC00-351/125</b> Distr. Form.: <b>A3</b>	Disegno N° Drawing N°: <b>H/C/0/0/1/2/5/1/F/0/1/0/1/0/0/3/0/0/4</b> Rev. Foglio / Sheet Segue/Follows: <b>0/1/0/0/3/0/0/4</b>
	Questo disegno di proprietà SIGMA CONTROL è tutelato a norma di legge This Dwg is property of SIGMA CONTROL all rights reserved.				

# TECHNICAL SPECIFICATION

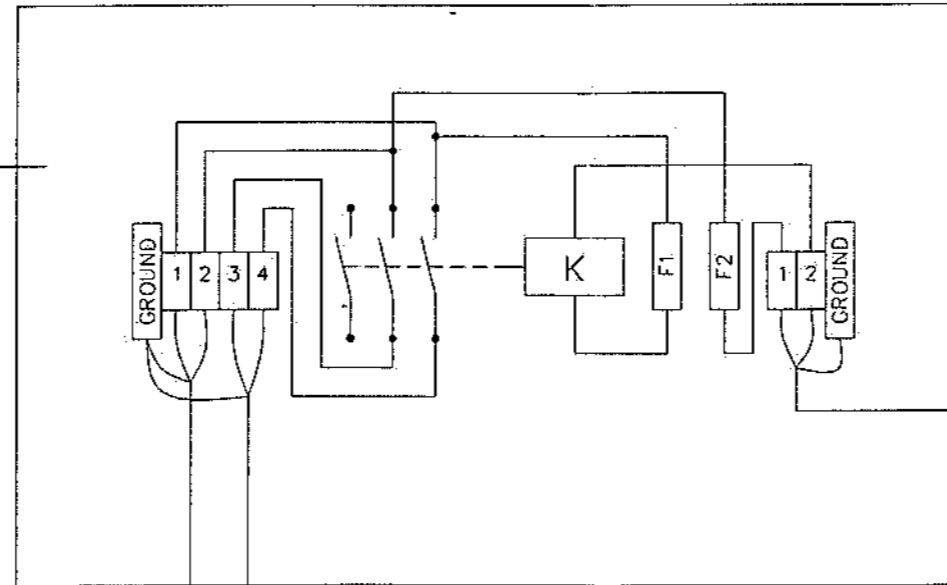
MIN. AMBIENT TEMPERATURE : -12 °C  
 MAINTENANCE TEMPERATURE : 150 °C  
 HEATING TEMPERATURE : 120 °C  
 HEATING TIME : 24h

## JUNCTION BOX



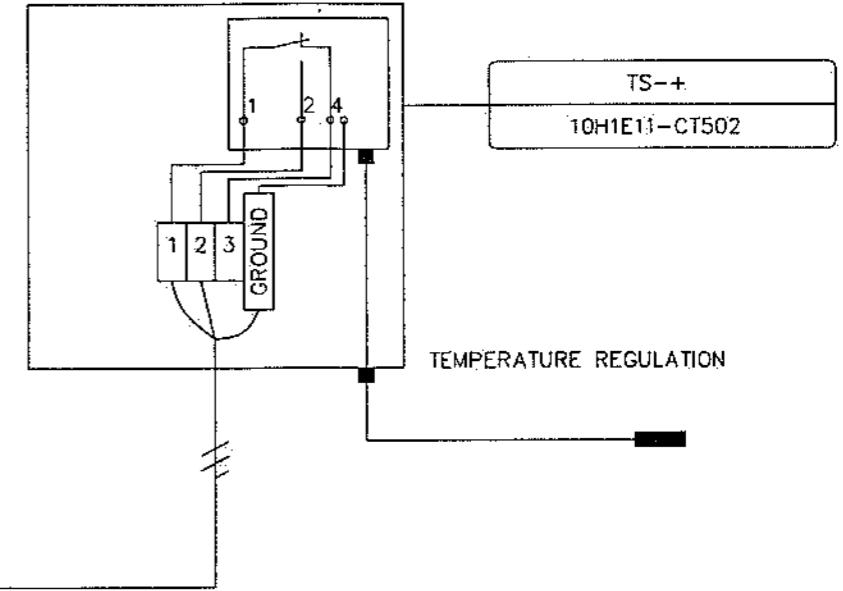
JUNCTION BOX: 252x185x110

FROM CONTROL PANEL

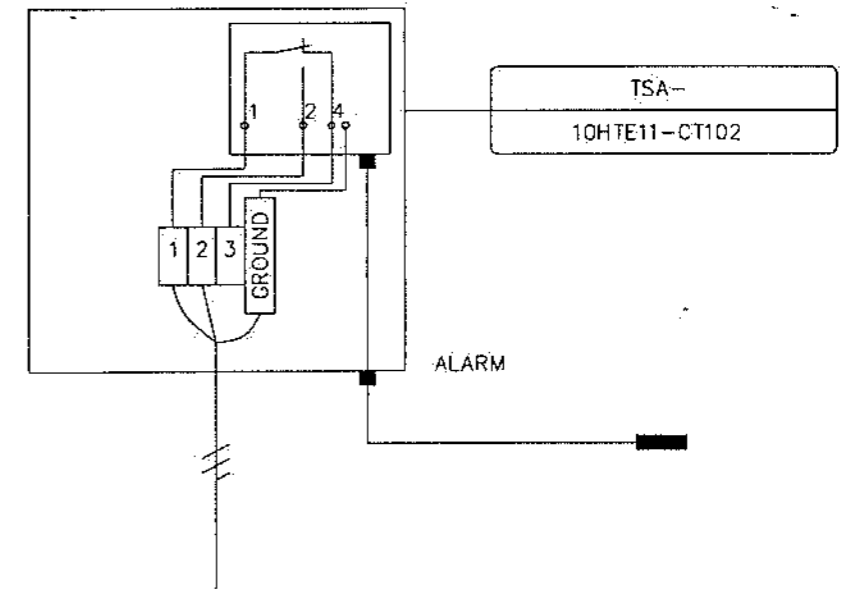


F1-F2: FUSE (4A)  
 K: CONTACTOR (50A; 220V)

## THERMOSTAT



## THERMOSTAT



FROM CONTROL PANEL



Impianto / Plant	C.T.P. - BRATISLAVA
Descrizione / Description	ELECTRICAL TRACING SYSTEM
	TYPICAL

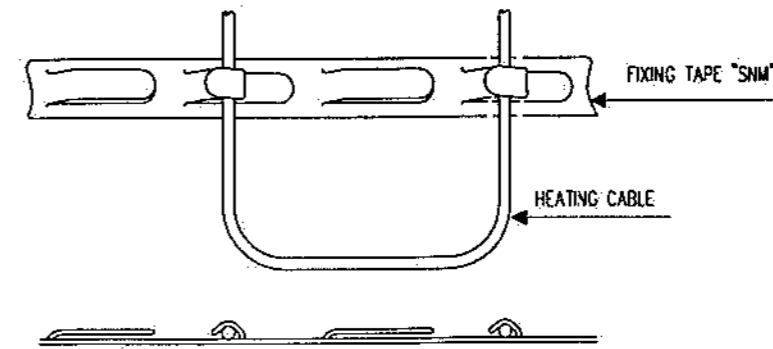
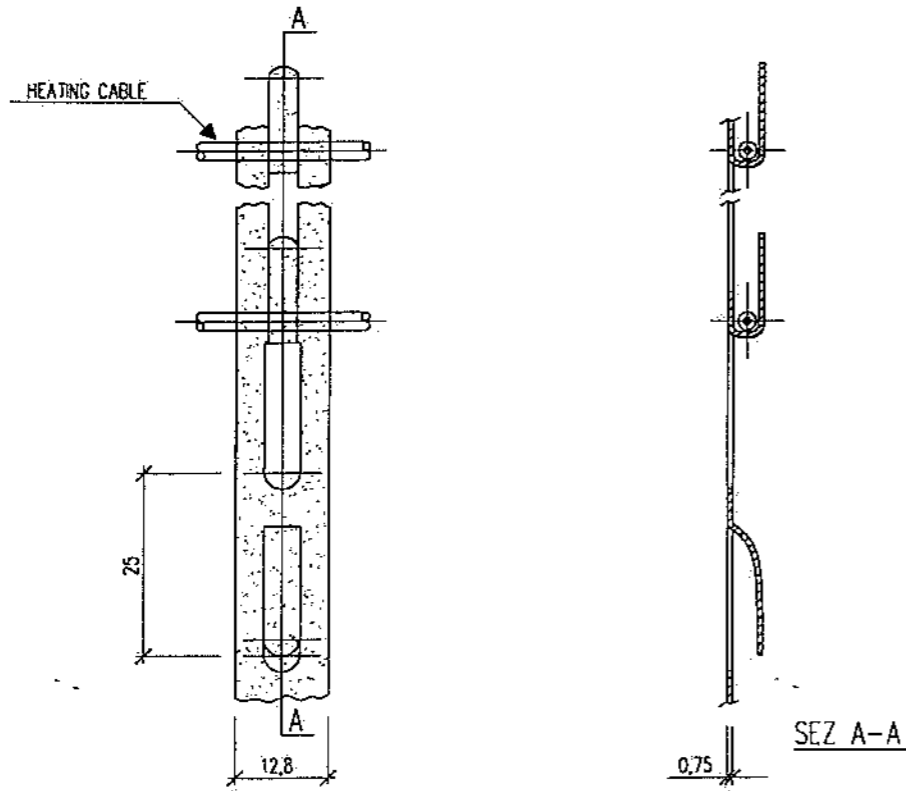
Redaz. By	DC
Conr. Checked	MD

Data Date	05-01
Data Date	01-02

Compresso N° Job N°	HC00-351/125
Distr.	Form. A3

Disegno N° Drawing N°	H/C/0/0/1/2/5/1/F/0/1/0/2/0/0/4/0/0/5
Rev.	Foglio / Sheet
Segue/follows	

Questo disegno di proprietà SIGMA CONTROL e' tutelato a norma di legge  
 This Dwg is property of SIGMA CONTROL all rights reserved.



Impianto / Plant	C.T.P. - BRATISLAVA
	ELECTRICAL TRACING SYSTEM
Descrizione / Description	TYPICAL

Redoz. By	Data Date	Commessa N° Job N°	Disegno N° Drawing N°						
DC	05-01	HC00-351/125	HIC001251F01	01	01	01	01	01	01
Contr. Checked	Data Date	Distr.	Form.	Rev.	Foglio / Sheet	Segue/Follows			
MD	05-01		A3						

Questo disegno di proprietà SIGMA CONTROL è tutelato a norma di legge  
This Dwg is property of SIGMA CONTROL all rights reserved.